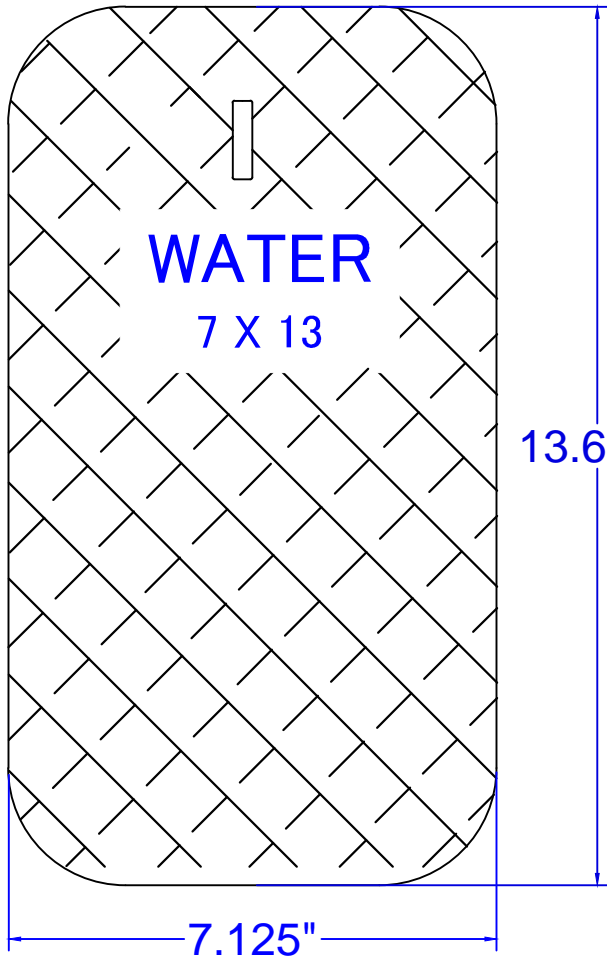


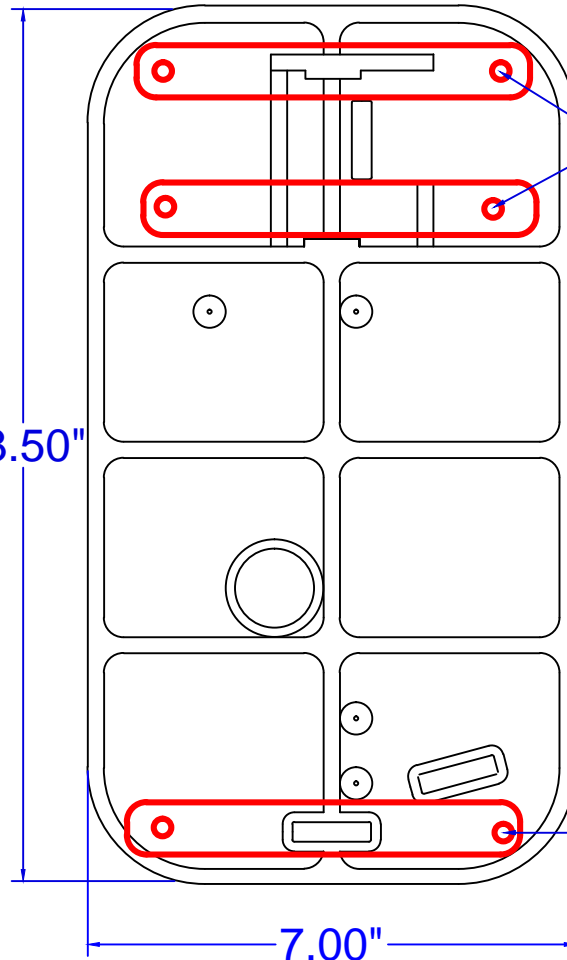
TOP VIEW



13.625"

7.125"

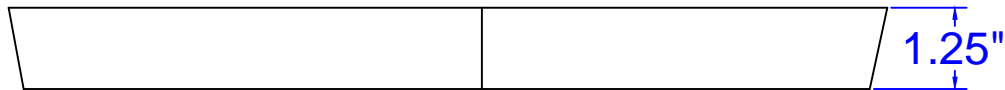
BOTTOM VIEW



13.50"

7.00"

SIDE VIEW



PROPRIETARY

General Notes

NOTE: LID WEIGHT:

Revision	Drawn By	Date
2	DLM	9/24/17
1	DLM	2/15/17

MATERIAL: MAIN LID POLYMER
FINISH PROCESS
SURFACE FINISH 125

FINISH OR TREATMENT
(UNLESS OTHERWISE SPECIFIED)
BEFORE FINISH PROCESS:
DIMENSIONS IN INCHES
(DIMENSIONS IN MILLIMETERS
TOLERANCES UNLESS SPECIFIED: XXX+-0.010 (.0254)
XXX+-0.05 (.127)
XX+-0.10 (.254)
ANGLES +- .010 1/2"
REMOVE BURRS AND BREAK CORNERS
.005 (.127) MAX. UNLESS SPECIFIED
INSIDE CORNERS .010 R. MAX.
CONCENTRICITY .005 F.I.M.

NICOR, INC.
PROPRIETARY NOTICE
This document, whether patentable or non-patentable subject matter, embodies proprietary and confidential information and is the exclusive property of NICOR, INC. It may not be reproduced, used or disclosed to others for any purpose except that for which it is loaned, and it shall be returned on demand. All rights reserved.

JEFF COOK
NICOR
100 COMMONS RD#7-355
DRIPPING SPRINGS, TX
78620

Meat Lid Home
7X13 INSERT with Rebar
7.125"x13.625"

Drawing Number	Sheet
CUSTOMER DRAWING	01
LID INSERT	
7X13BLKHDR	