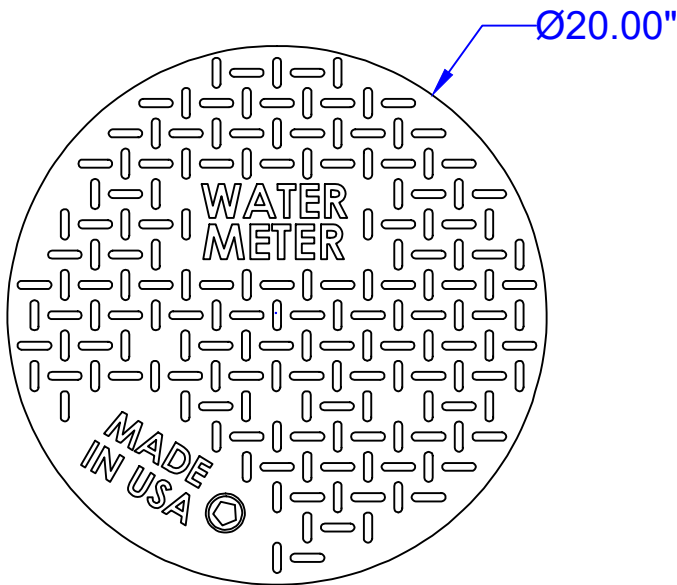
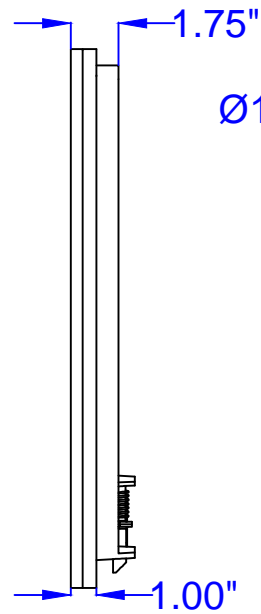


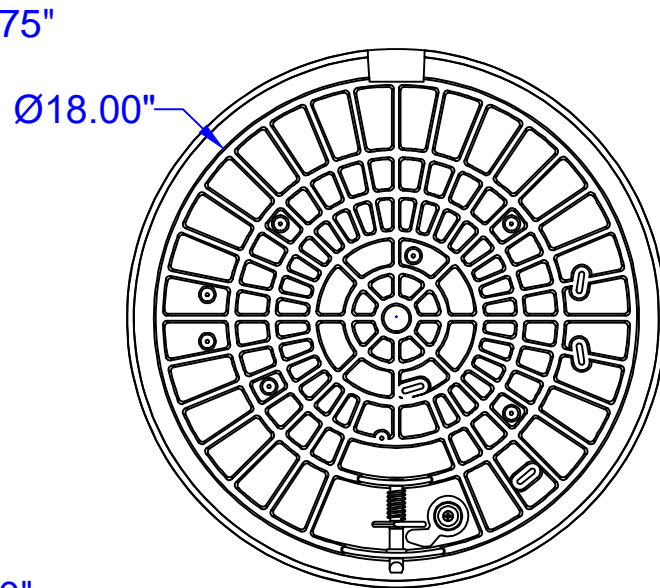
TOP VIEW



SIDE VIEW



BOTTOM VIEW



General Notes

1	LRM	10/27/15
Revision	Drawn By	Date

MATERIAL: MAIN LID POLYMER  
 FINISH PROCESS:  
 SURFACE FINISH 125

FINISH OR TREATMENT  
 (UNLESS OTHERWISE SPECIFIED)  
 BEFORE FINISH PROCESS:  
 DIMENSIONS IN INCHES  
 (DIMENSIONS) IN MILLIMETERS  
 TOLERANCES UNLESS SPECIFIED: XXX+-.0010 (.0254)  
 XXX+-.005 (.127)  
 XX+-.010 (.254)  
 ANGLES +.010 1/2"  
 REMOVE BURRS AND BREAK CORNERS  
 .005 (.127) MAX. UNLESS SPECIFIED  
 INSIDE CORNERS .010 R. MAX.  
 CONCENTRICITY .005 F.I.M.

**NICOR, INC.**  
**PROPRIETARY NOTICE**  
 This document, whether patentable or non-patentable subject matter, embodies proprietary and confidential information and is the exclusive property of NICOR, INC. It may not be reproduced, used or disclosed to others for any purpose except that for which it is loaned, and it shall be returned on demand. All rights reserved.

JEFF COOK  
 NICOR  
 100 COMMONS RD#7-355  
 DRIPPING SPRINGS, TX  
 78620

Project Name  
 20"

Drawing Number CUSTOMER DRAWING	Sheet 01
Date 10/27/15	