



NICOR™

HYDROCONN® CONNECTORS AMR SERIES IV

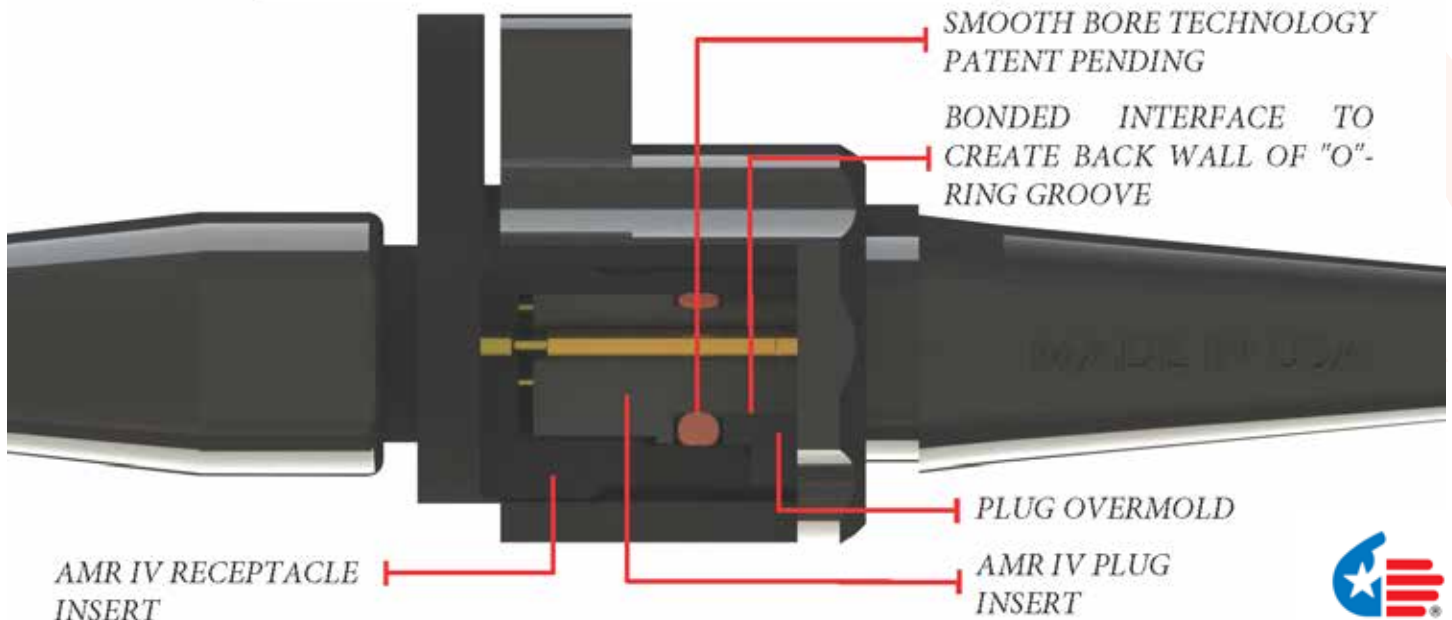
INDUSTRY LEADER IN WATERPROOF
IN-LINE CONNECTORS



SERIES IV FEATURES:

- Available as either molded in place or potted terminations for sealing
- Intermateable with the Itron In-Line Connector.
- Serviceable O-ring in Plug with no parting line in groove

AMR IV CONNECTION CUT-AWAY



NICORINC.NET



WOMAN-OWNED AND PROUDLY MADE IN THE USA